



Finger Access Pty Ltd
P 1300 785 121
F 1300 785 141
E info@fingeraccess.com.au
W www.fingeraccess.com.au



FA111 Pin Code Door Lock

User Manual

Read this manual carefully before operating your pin code lock

Product Introduction

Important note: Original master pin code "111111". Please change the master pin code when you use the lock for the first time. Each pin code must be 6 digits.

- The pin code lock can save 30 sets of pin codes.
- Master pin code is the management pin code with the highest authority. Through the master pin code you can add user settings and change door lock functions.
- When you hear "di di di di di" six warning tones from the pin code lock, please change the batteries in time.
- There is a reset switch at the rear of the lock body. Press this switch to restore the master pin code to "111111". If you press this switch continuously for more than 2 seconds, they pin code lock will be restored to the original factory settings, that is restoring the master pin code to "111111" and clearing all sub-pin codes.

Functions/Operation

Opening operation

Directly input 6 digits of a correct pin code already stored. If the pin code is correct the green light will turn on. Open the door within 5 seconds.

Add pin codes

Press: 1 + # + master pin code + user ID number (3digits) + new pin code (6digits) + new pin code + #.
 User Id is a 3 digit number between 001-666.
 User pin code can be any 6 digit number.

Example: Using the master pin code of "111111" and entering user Id 005 with a pin code of 123456 the operation would be like this:

Press: 1 + # + 111111 + 005 + 123456 + 123456 + #

Change pin codes (master pin code and user pin code)

Press 3 + # + pin code being changed + new pin code + new pin code + #

Delete pin codes (master pin code cannot be deleted)

Press: 2 + # + master pin code + user Id + user Id + #

Turn on the 1 key opening function

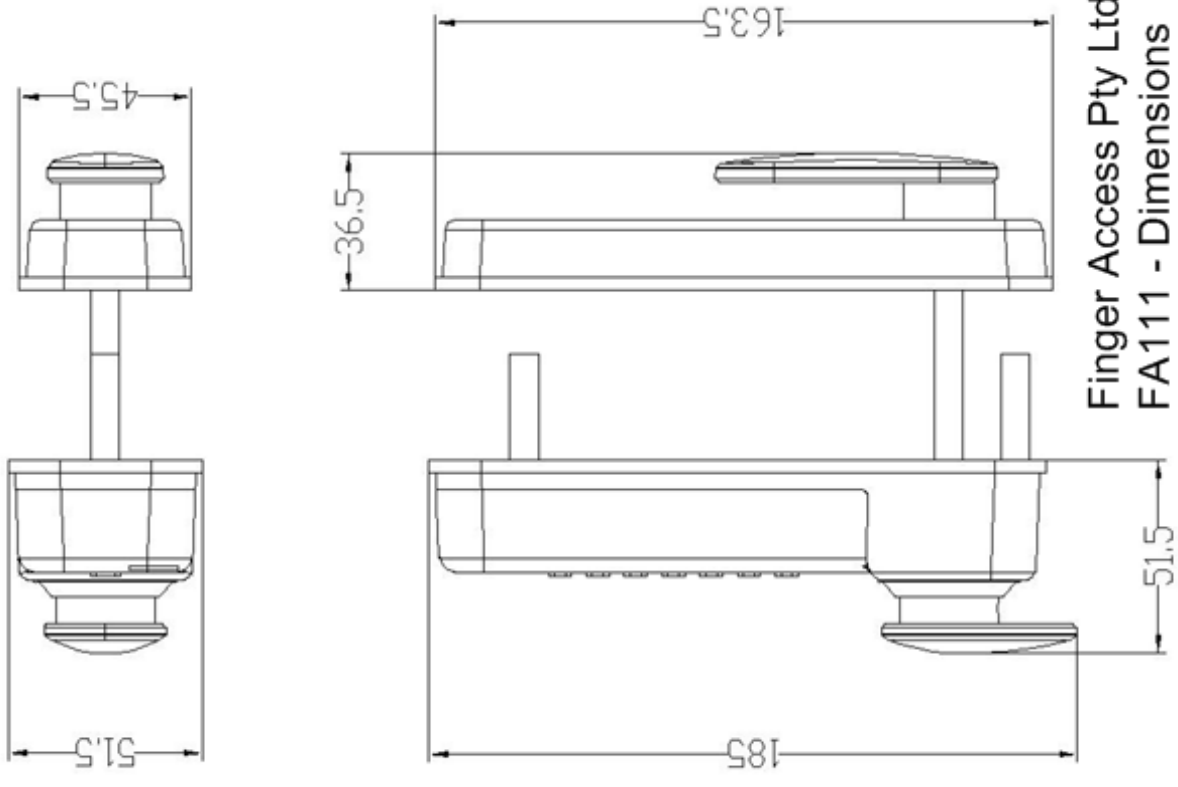
Press: 4 + # + master pin code + #

Cancel the 1 key opening function

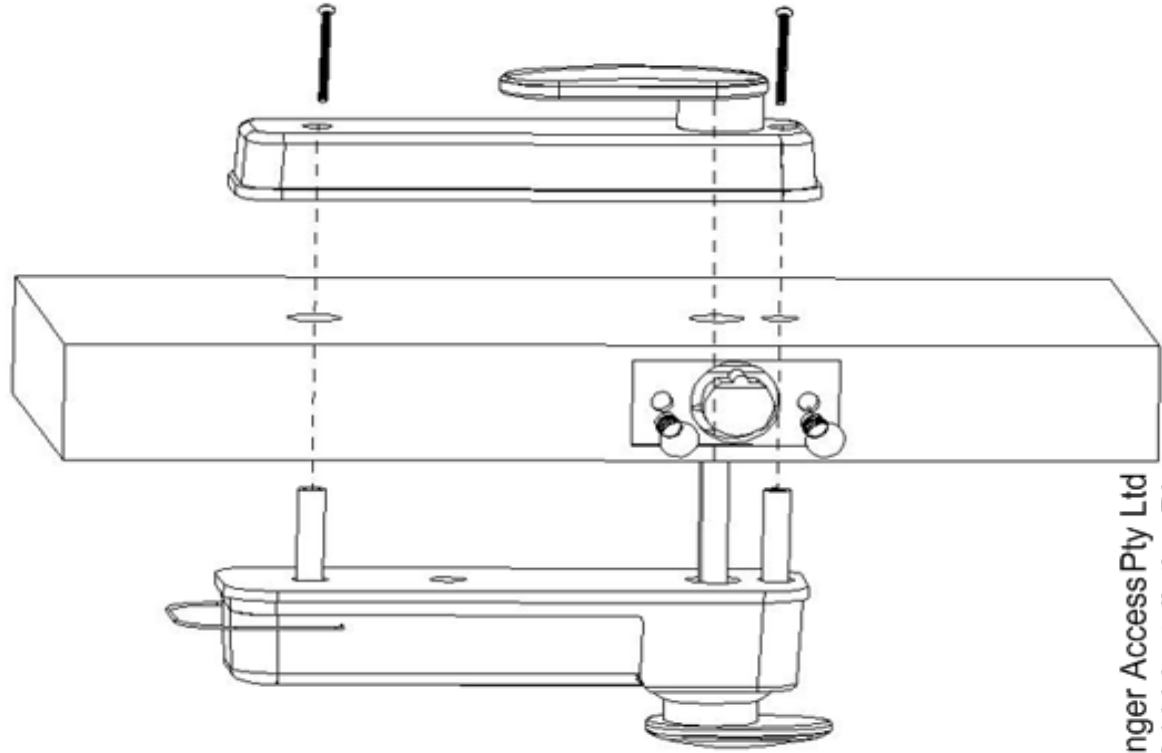
Press: 4 + # + master pin code + #



Finger Access Pty Ltd
P 1300 785 121
F 1300 785 141
E info@fingeraccess.com.au
W www.fingeraccess.com.au



Finger Access Pty Ltd
FA111 - Dimensions



Finger Access Pty Ltd
FA111 Installation Diagram